

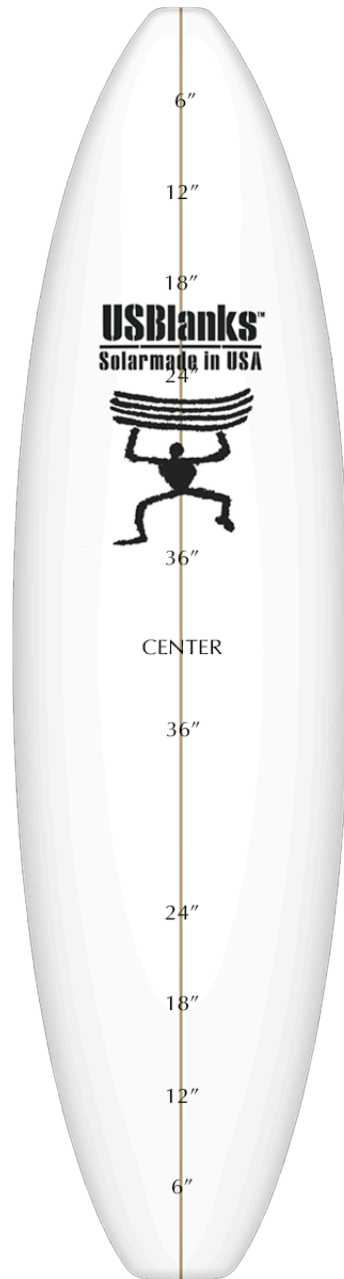
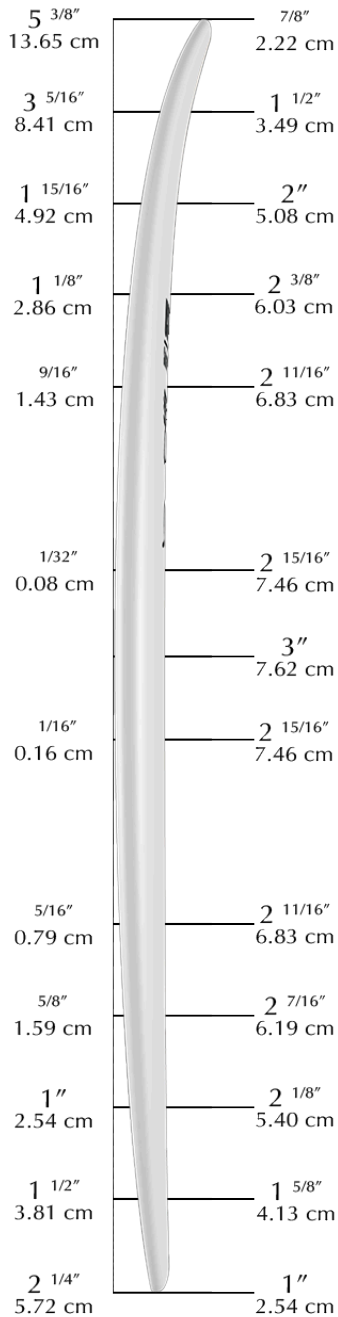
# FUNBOARDS

# 7'1"EA

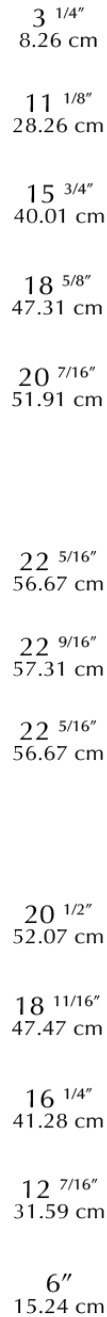
Designed by  
**ERIC ARAKAWA**

Introduced July 2006

## ROCKER THICKNESS



## WIDTH



**Overall Bottom Length:** 7'0 1/2" (214.63 cm)

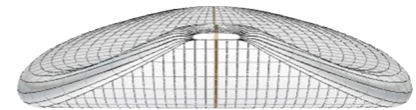
**Tip-to-Tip Deck Length:** 6'11 3/4" (212.73 cm)

**Max Width:** 22 9/16" (57.31 cm)

**Max Thickness:** 3" (7.62 cm)

**Displacement:** 1.93 ft<sup>3</sup> (54.6 L)

**Natural Rocker:** 5 3/8"N 2 1/4"T



"The slightly wider outline allows for board designs ranging from bigger guy Shortboards to fun shapes. The Natural Rocker is good for vee in the tail and contoured bottom designs. The Hawaii Rocker can be used for high performance styles."

PAT RAWSON

