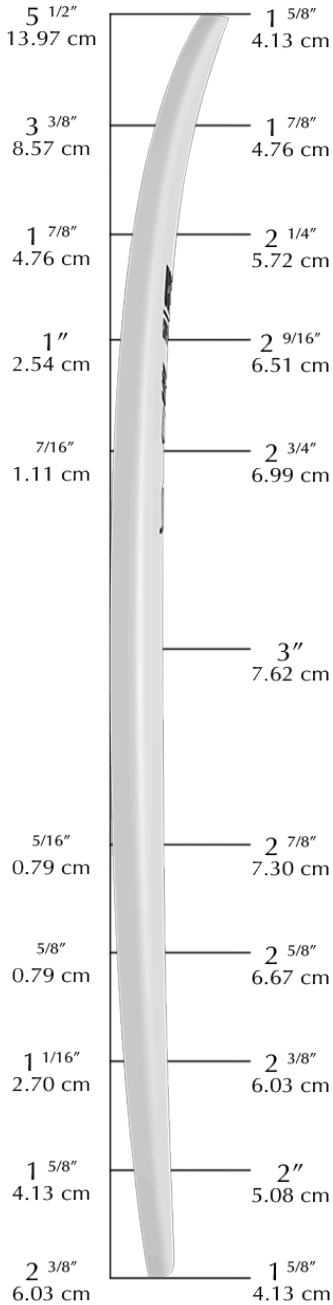


# SUPERFUSED 6'5" X EPS

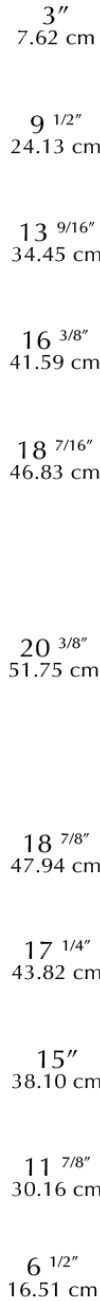
Designed by  
**ERIC ARAKAWA**

Introduced October 2007

## ROCKER THICKNESS



## WIDTH



**Overall Bottom Length:** 6'5 13/16" (197.64 cm)

**Tip-to-Tip Deck Length:** 6'4 13/16" (195.10 cm)

**Max Width:** 20 3/8" (51.75 cm)

**Max Thickness:** 3" (7.62 cm)

**Available Densities:** 1.5 pcf & 2.0 pcf

**Natural Rocker:** 5 1/2"N 2 1/16"T



"At 3" max thickness, this blank is identical to the previous version with 1/4" additional thickness along the entire length. This blank is designed for high performance Shortboards up to 20 1/4" in width. At 2 3/4" thick it remains versatile and will accept subtle rocker adjustments from center."

ERIC ARAKAWA