

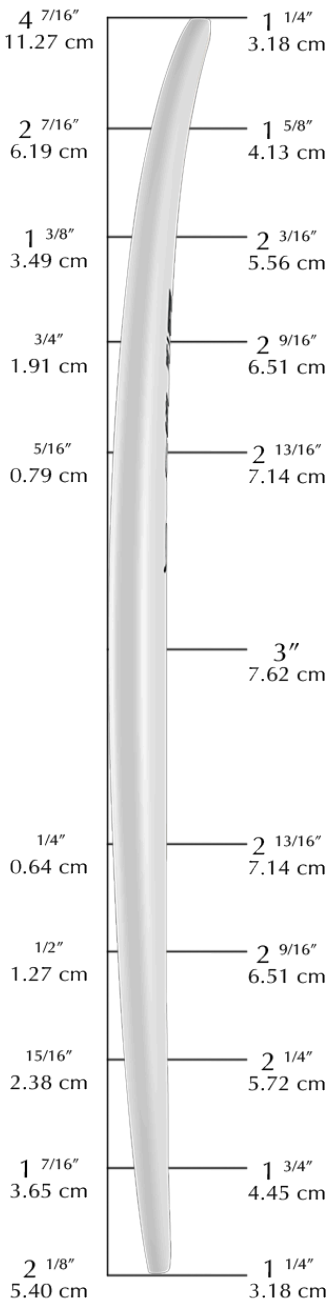
# SHORTBOARD

# 6'0"R

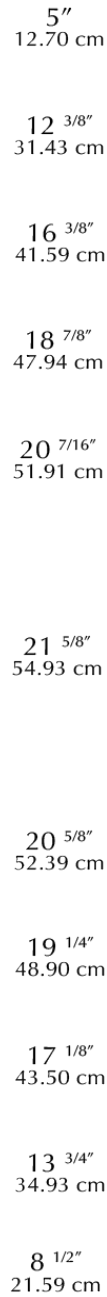
Designed by  
**RUSTY PRESENDORFER**

Introduced March 2011

## ROCKER THICKNESS



## WIDTH



**Overall Bottom Length:** 6'0 1/2" (184.15 cm)

**Tip-to-Tip Deck Length:** 5'11 3/4" (182.25 cm)

**Max Width:** 21 3/16" (53.82 cm)

**Max Thickness:** 3 3/16" (7.78 cm)

**Displacement:** 1.667 ft<sup>3</sup> (47.2 L)

**Natural Rocker:** 4 7/16"N 2-1/8"T



"Designed to be a versatile blank for shorter, wider, relaxed rockered boards. Somewhere between a Fish and performance Shortboard, with added volume under the chest. Semi-flat deck and thicker on the ends. It should provide a wide range of option."

RUSTY PRESENDORFER

