

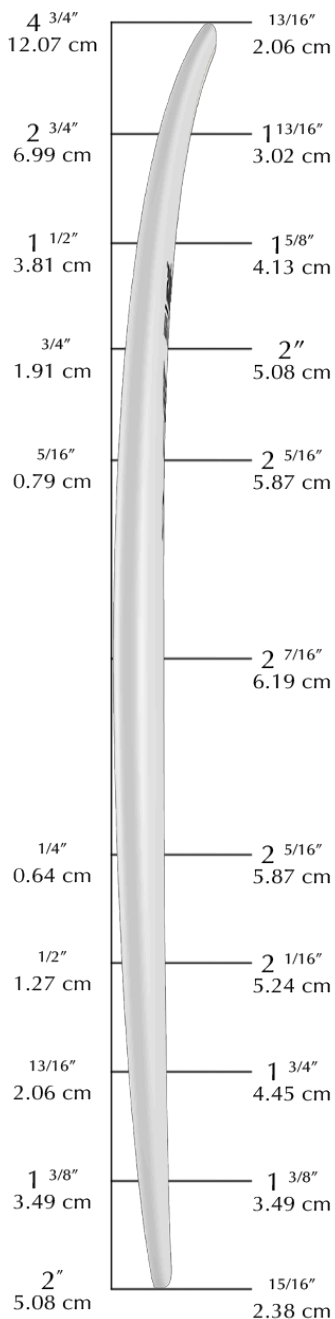
SHORTBOARD

5'9"P

Designed by
TIMMY PATTERSON

Introduced April 2006

ROCKER THICKNESS



WIDTH



Overall Bottom Length: 5'10 1/4" (178.44 cm)

Tip-to-Tip Deck Length: 5'9 5/8" (176.85 cm)

Max Width: 19 3/8" (49.21 cm)

Max Thickness: 2 7/16" (6.19 cm)

Displacement: 1.14 ft³ (32.2 L)

Natural Rocker: 4 3/4"N 2"T



"This is an ideal Grom blank with medium volume. It has an excellent natural rocker which will also work well in the 6'0"P and 6'2"P matched from the nose. A perfect hand shape blank that can also be used on the machine."

TIMMY PATTERSON

